

Weights

Operating weight with cab and bucket (ISO 6016)	2705 kg
Transport mass (no attachment)	2571 kg
Weight reduction with canopy	-118 kg
Additional weight for steel tracks	119 kg
Additional weight for long dipperstick	10 kg
Additional weight for heavy counterweight:	123 kg
Ground pressure with rubber tracks	25.00 kPa

Engine

Make / model	Kubota / D1105-E4B-BCZ-1
Fuel	Diesel
Number of cylinders	3
Displacement	1123 cm ³
Maximum power @ 2400 rpm (ISO 14396)	15.4 kW
Maximum torque (SAE)	71.2 Nm

Performance

Digging force, dipperstick (ISO 6015)	16200 N
Digging force, long dipperstick (ISO 6015)	13470 N
Digging force, bucket (ISO 6015)	23720 N
Drawbar pull	29023 N
Travel speed, low range	2.5 km/h
Travel speed, high range	4.3 km/h

Hydraulic System

Pump type	Dual outlet variable displacement piston pump with gear pumps
Total hydraulic capacity	87.00 L/min
Auxiliary flow	50.00 L/min
Auxiliary relief	180.00 bar

Slew System

Boom swing, left	70.0°
Boom swing, right	55.0°
Slew rate	9.3 RPM

Fluid Capacities

Cooling system	4.30 L
Engine lubrication plus oil filter	3.60 L
Fuel reservoir	34.40 L
Hydraulic reservoir	10.20 L
Hydraulic system	23.00 L

Environmental

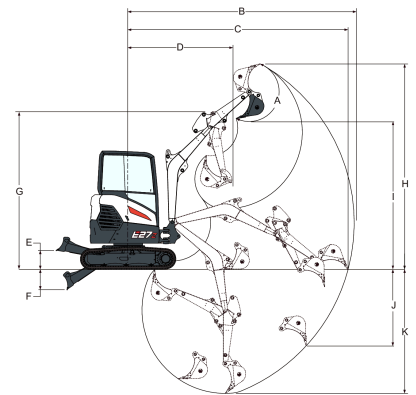
Noise level LpA(EU Directive 2006/42/EC)	77 dB(A)
Noise level LWA(EU Directive 2000/14/EC)	93 dB(A)
Whole body vibration (ISO 2631-1)	0.18 ms ⁻²
Hand-arm vibration (ISO 5349-1)	0.51 ms ⁻²

Standard Features

1550 mm dozer blade	Grease gun holder
300 mm rubber tracks	Horn
Adjustable double acting auxiliary hydraulic (AUX1) with Quick Couplers	Proportional fingertip auxiliary and boom swing offset hydraulic control
Battery disconnect	Retractable seat belt
Blade float feature	Suspension seat with high back
Clamp ready	TOPS/ROPS/FOPS canopy * 1
Control console locks	Two-speed travel with Auto shift
Cupholder	Upper structure four-point tie down
Engine/hydraulic monitor with shutdown	Work light (boom)
Foldable and ergonomic pedals	Water separator
Full fuel warning alarm	Warranty: 12 months, 2000 hours (whichever occurs first)

1. Roll Over Protective Structure (ROPS) – Meets requirements of ISO 3471. Tip Over Protective Structure (TOPS) – Meets requirements of ISO 12117. Falling Object Protective Structure (FOPS) - Meets requirements of ISO 3449.

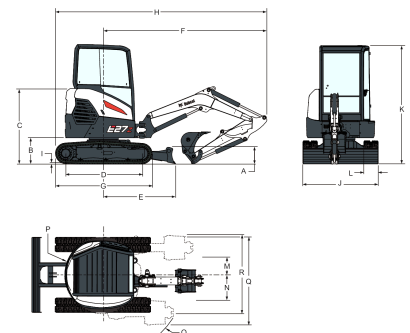
Working Range



Values marked with * - Long dipperstick

(A)	185.0°	(G)	3247.0 mm
(B)	4644.0 mm	(H)	4230.0 mm
(B*)	4931.0 mm	(H*)	4430.0 mm
(C)	4518.0 mm	(I)	3043.0 mm
(C*)	4814.0 mm	(I*)	3243.0 mm
(D)	2131.0 mm	(J)	1567.0 mm
(D*)	2135.0 mm	(J*)	1818.0 mm
(E)	385.0 mm	(K)	2547.0 mm
(F)	420.0 mm	(K*)	2847.0 mm

Dimensions



(A)	319.0 mm	(J)	1550.0 mm
(B)	539.0 mm	(K)	2438.0 mm
(C)	1540.0 mm	(L)	300.0 mm
(D)	1543.0 mm	(M)	565.0 mm
(E)	1462.0 mm	(N)	773.0 mm
(F)	3343.0 mm	(O)	1726.0 mm
(G)	1965.0 mm	(P)	785.0 mm
(H)	4325.0 mm	(Q)	1808.0 mm
(I)	21.0 mm	(R)	1599.0 mm

Options

1st AUX hydraulic on arm	Hydr. coupler lines (AUX5)
2nd AUX hydraulics	Keyless ignition
AM/FM MP3 stereo radio	Klacc D and MS03 coupler
Additional lights (2+1)	Left and right mirror
Auto idle	MS03/HS03 coupler or tilt coupler with lifteye
Beacon	TOPS/ROPS/FOPS cab with heater
Bobcat hydr. pin grabber	Travel motion alarm
Bucket diverter valves (AUX3) kit	Heavy counterweight
Case drain line	LED lights set
Clamp with AUX1 diverter for long arm	Long dipperstick with clamp eyes
Dix textile suspension seat	Steel tracks
Direct-to-tank-AUX1 line	Tilt coupler lines (AUX4)

E27z | Excavators

Specifications

Object handling device
(safety valves + overload
warning device + lifteye)
Fire extinguisher

Tilt coupler lines (AUX4)
with SAC control